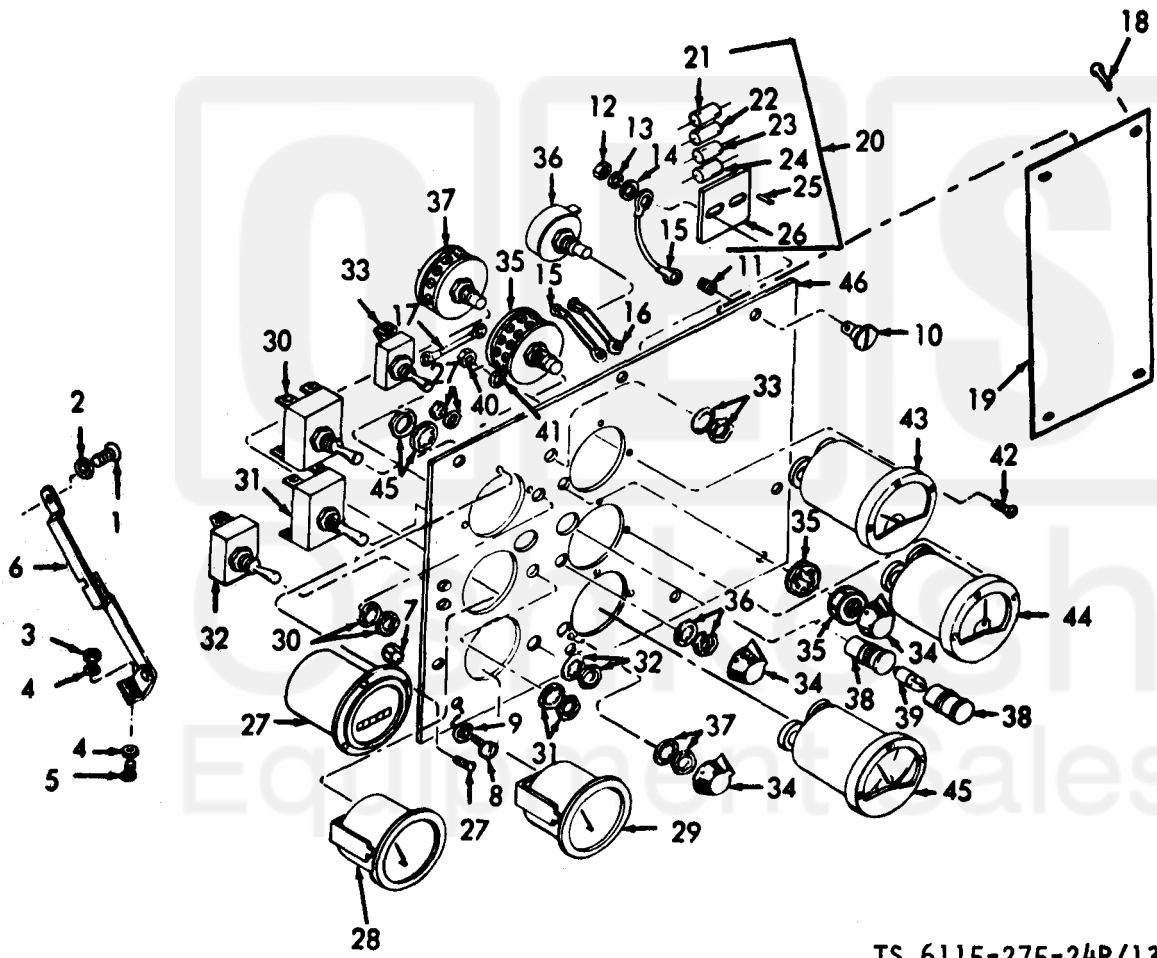


TMS-6115-275-24P
 TO 35C2-3-452-4

(1) ILLUSTRATION A FIG. NO.	(2) SMR CODE A B ARMY AIR FORCE	(3) D USMC	(4) NATIONAL STOCK NUMBER	(5) DESCRIPTION REF NUMBER & MFR CODE	(6) USABLE ON CODE U/M	(7) QTY INC IN UNITS
	PAFZZ	PAFZZ		TERMINAL, LUG 13211E4364-7 97403	A EA	1
	PAFZZ	PAFZZ	6145-00-284-0657	WIRE, ELECTRICAL M5086-2-8-9 81349	A FT	V
13	16	MFOFZ	AFFZZ	XBGZZ		
				LEAD, ELECTRICAL: VOLTAGE SELECTOR 13211E4858-1 97403	A EA	2
				MANUFACTURE FROM:		
	PAFZZ	PAFZZ		TERMINAL, LUG MS25036-128 96906	A EA	1
	PAFZZ	PAFZZ		TERMINAL, LUG MS25036-126 96906	A EA	1
	PAFZZ	PAFZZ	6145-00-578-6606	WIRE, ELECTRICAL M5086-2-2-9 81349	A FT	V
13	17	PAFZZ	AFFBZ	PAGZZ		
				WIRING HARNESS, BRANCHED: CONTROL PANEL 13211E4830 97403	A EA	1
13	18	PAOZZ	PAOZZ	XBOZZ		
				RIVET, SOLID: WIRING DIAGRAM MTG MS20470D4-6 96906	A EA	4
13	19	XBOZZ	MODZZ	XBOZZ		
				PLATE, DESIGNATION: WIRING DIAGRAM 13213E3934 97403	A EA	1
13	20	PAOZZ	PAFFF	PAGZZ		
				ASSEMBLY COMPONENT: PRINTED CIRCUIT 13211E4849 97403	A EA	1
13	21	XAOZZ	PAFZZ	XBGZZ		
				RESISTOR, FIXED 13211E4849-4 97403	A EA	1
13	22	XAOZZ	PAFZZ	XBGZZ		
				RESISTOR, FIXED, FILM 13211E4849-2 97403	A EA	1
13	23	XAOZZ	PAFZZ	XBGZZ		
				RESISTOR, FIXED, FILM 13211E4849-5 97403	A EA	1
13	24	XAOZZ	PAFZZ	XBGZZ		
				RESISTOR, FIXED 13211E4849-3 97403	A EA	1
13	25	XAOZZ	PAFZZ	XBGZZ		
				TERMINAL, STUD MS17122-7 96906	A EA	4
13	26	XAOZZ	XAOZZ	XBGZZ		
				BOARD, PRINTED CIRCUIT 13211E4850 97403	A EA	1
13	27	PAOZZ	PAOZZ	PBHZZ		
				METER, TIME TOTALIZING 73-0507 30554	EA	1
13	28	PAOZZ	PAOZZ	PBHZZ		
				GAGE, PRESSURE, DIAL 505 AS 57733	EA	1
13	29	PAOZZ	PAOZZ	PBHZZ		
				AMMETER, D.C.: BATTERY CHARGING 13211E6918 97403	EA	1
13	30	PAOZZ	PAOZZ	PAGZZ		
				SWITCH, TOGGLE: REMOTE LOCAL MS35059-23 96906	EA	1
13	31	PAOZZ	PAOZZ	PAGZZ		
				SWITCH, TOGGLE: EMERGENCY STOP-RUN MS35059-21 96906	EA	1
13	32	PAOZZ	PAOZZ	PAGZZ		
				SWITCH, TOGGLE: STOP-START, ENGINE MS35058-27 96906	EA	1
13	33	PAOZZ	PAOZZ	PAGZZ		
				SWITCH, TOGGLE: PANEL LIGHT MS35058-22 96906	EA	1
13	34	XBOZZ	XBFZZ	XBGZZ		
				KNOB, CONTROL: ROTARY SWITCH AND RESISTOR MS91528-1K2B 96906	EA	3
13	35	PAFZZ	PAFZZ	PAGZZ		
				SWITCH, ROTARY: VOLTAGE SELECTOR 13211E4818 97403	A EA	1
13	36	PAFZZ	PAFZZ	PAGZZ		
				RESISTOR, VARIABLE: VOLTAGE ADJUSTING M22-03-00191FD 81349	A EA	1
13	37	PAFZZ	PAFZZ	PAGZZ		
				SWITCH, ROTARY: CURRENT SELECTOR 13211E4816 97403	A EA	1



TS 6115-275-24P/13

Figure 13. Control panel, (MEP-018A).